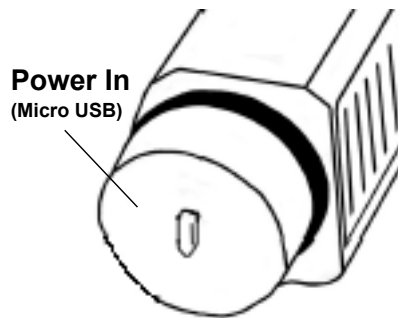
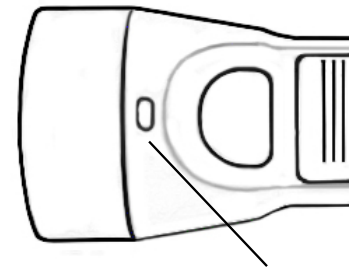


Entrada 80

*** For best results: Charge the Flashlight using a Micro USB cable until the indicator light turns from RED to GREEN**



- 1st Click = Low Beam
- 2nd Click = High Beam
- Hold for Strobe



Red - charging
Green - fully charged
Blinking Red - needs to charge

Charge the HybridLight™ Solar Flashlight using a Micro USB cable:

1. Remove the bottom cap counter-clockwise.
2. Plug the cable into the micro USB port. Plug the other end of the cable into an A/C or D/C power source.
3. Be certain the Flashlight is in the “off” position.
4. The indicator light is RED while charging GREEN when fully charged.

Charge the HybridLight™ using natural light:

1. Be certain the Flashlight is in the “off” position.
2. Place Flashlight under natural sunlight with the solar panel facing the sunlight. The RED indicator light will illuminate. The brighter the light source the faster Flashlight will recharge.

If the Flashlight power is too low to charge a mobile device you will need to charge the flashlight using a Micro USB cable. The Flashlight should stay plugged in, until the indicator light turns GREEN. The Flashlight is now ready to charge a mobile device.